

分流器 Shunt Resistors-FLQ Series

特征 Features



- 高精度 High Precision
- 电阻温度系数 TCR±40ppm/°C
- 通过电流 Through current 5A-100A
- 银焊工艺 Silver brazing process

- 耐高温 Flameproof
- 电感小于 10 纳亨 Low Inductance
- 引脚镀锡易于焊锡 Solderable copper leads

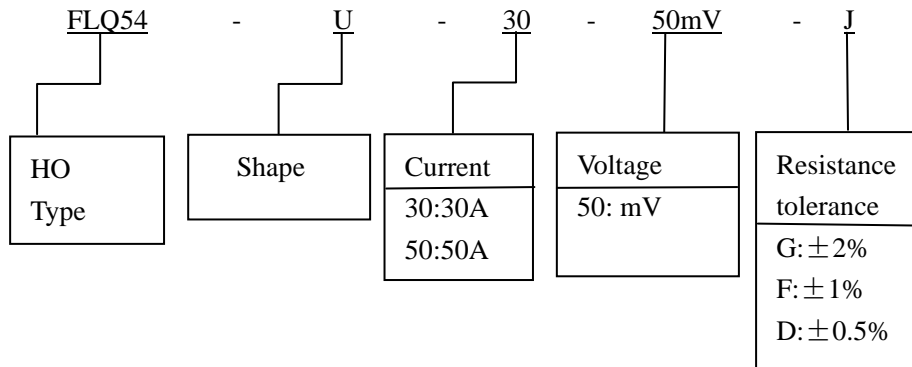
- 符合 ROHS 要求 lead-free
- 特殊规格可以订做

Special tight tolerance are available on request

电气参数 Electrical Data

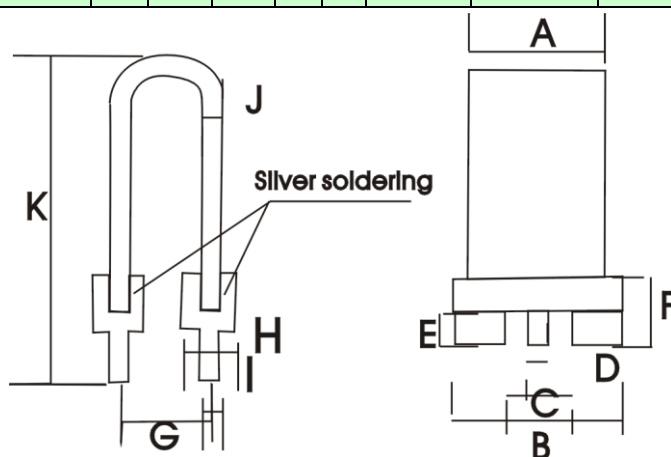
	FLQ-U-10	FLQ-U-2.5	FLQ-U-1
85°C时功率 Power rating at 85°C watts	10	2.5	1
阻值范围 Resistance range ohms	0R0007*to 0.001	0R00015to 0.0025	0R005to 0.01

命名规则 Order Information



尺寸规格 Dimensions Data (mm)

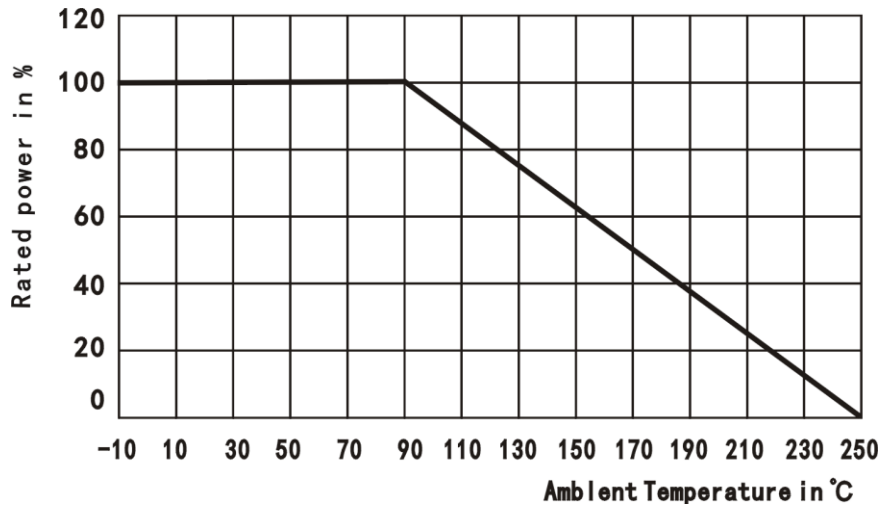
Type	A	B	C	D	E	F	G	H	I	J	K
100A 75mA	12.7±0.2	18	5.6	1.6	3	3	8.4±1	3.1±0.2	1.6±0.5	1.6	22.7±1
100A 100mA	12.7±0.2	18	5.6	1.6	3	3	8.4±1	3.1±0.2	1.6±0.5	1.6	33.8±1
50A 125mA	11.1±0.2	18	5.6	1.6	3	3	8.4±1	3.1±0.2	1.6±0.5	1.6	51.0±1
10A 100mA	5.3±0.2	18	5.6	1.6	3	3	8.4±1	3.1±0.2	1.6±0.5	1.0	62.8±1



工作特性 performance Data

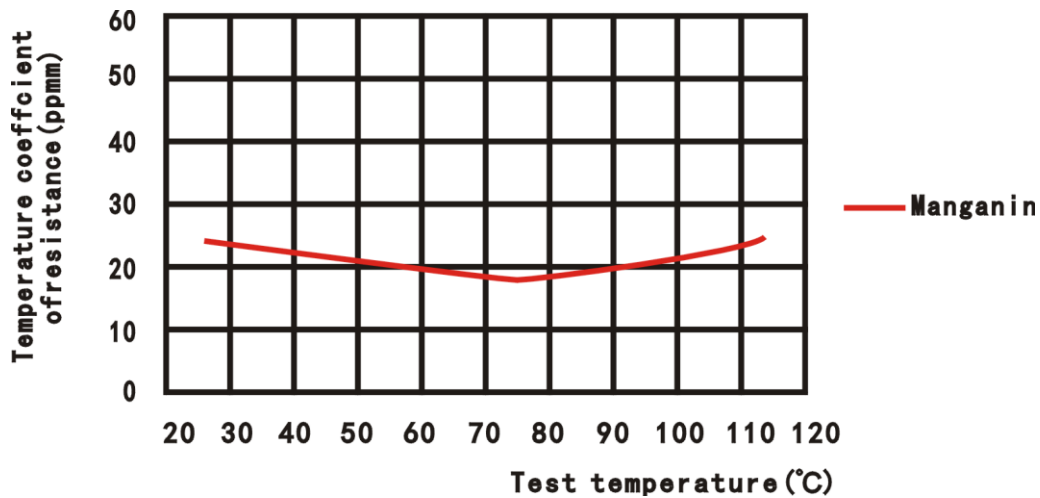
TEST	CONDITIONS OF TEST	TEST LIMITS
Thermal Shock	-55℃ to 150℃, 100 cycles, 15 min at each extreme	± (1.0% + 0.0005Ω) ΔR
Shot time overload	5x rated power for 5s	± (0.5% + 0.0005Ω) ΔR
Low temperature storage	-65℃ for 45 min	± (0.5% + 0.0005Ω) ΔR
High temperature exposure	1000 h at +170℃	± (1.0% + 0.0005Ω) ΔR
Bias humidity	+85℃ 85% RH, 10% bias, 1000 h	± (0.5% + 0.0005Ω) ΔR
Mechanical shock	100 g's for 6 ms, 5 pulses	± (0.5% + 0.0005Ω) ΔR
Vibration	Frequency varied 10 Hz to 200 Hz in 1 min, 3 directions, 12h	± (0.5% + 0.0005Ω) ΔR
Resistance to solder heat	1000 h at +70℃, 1.5 h "ON", 0.5 h "OFF"	± (1.0% + 0.0005Ω) ΔR
Resistance to solder heat	+260℃ solder, 10s to 12s dwell, 25 mm/s emergence	± (0.5% + 0.0005Ω) ΔR
Moisture resistance	MIL-STD-202, method 106, 0% power, 7a and 7b not required	± (0.5% + 0.0005Ω) ΔR

功率曲线 Power Derating



电气性能 Electrical Features

温度系数曲线 TCR Derating



应用范围 Applications

- 电流采样 Current Sensing
- 反馈电路 Feedback
- 低电感电路 Low Inductance
- 大电流脉冲电路 Surge and pulse

包装 Packaging

- 散装，每包装 1000PCS bulk, 1000PCS per package