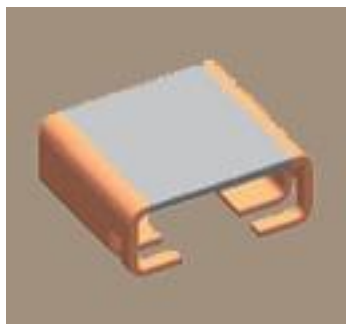


内外折分流电阻 Current Sensing Resistors-HOVB Series



特征 Features

- 2-5 瓦 2-5Watts
  - ±5%或±1%精度 Tolerance ±5% or ±1%
  - 电阻温度系数 TCR±20ppm/°C或±50ppm/°C
  - 阻值低至 0.0005 欧 Resistance values down to 0R001 ohms
  - 电感小于 10 纳亨 Low Inductance
- 符合 ROHS 要求 lead-free
  - 特殊规格可以订做

Special tight tolerance are available on request

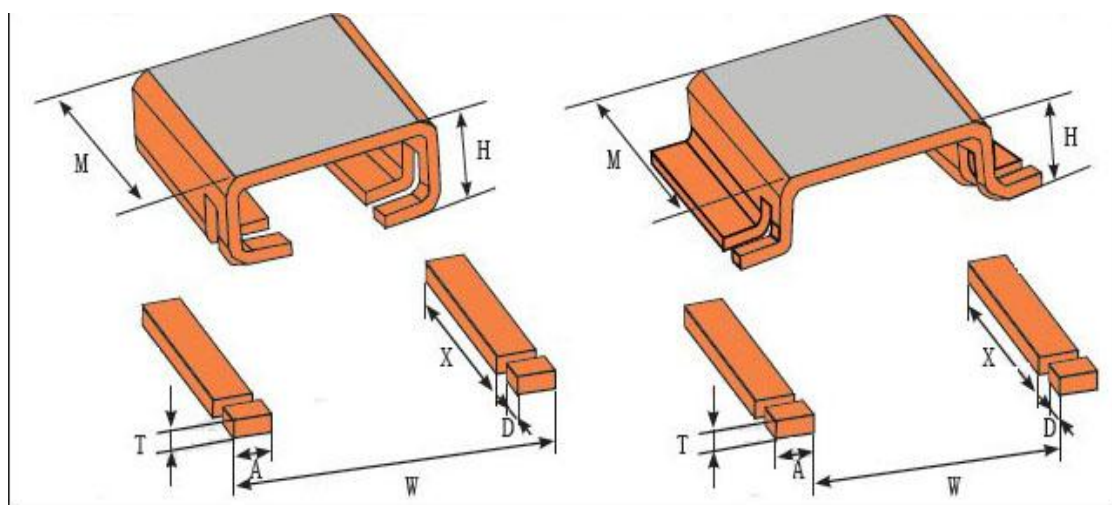
电气参数 Electrical Data

	HOVB
85°C时功率 Power rating at 85°C watts	5
阻值范围 Resistance range ohms	0.0005Ω to 0.002Ω

\*Contact factory for values below 0.001 ohm

尺寸规格 Dimensions Data

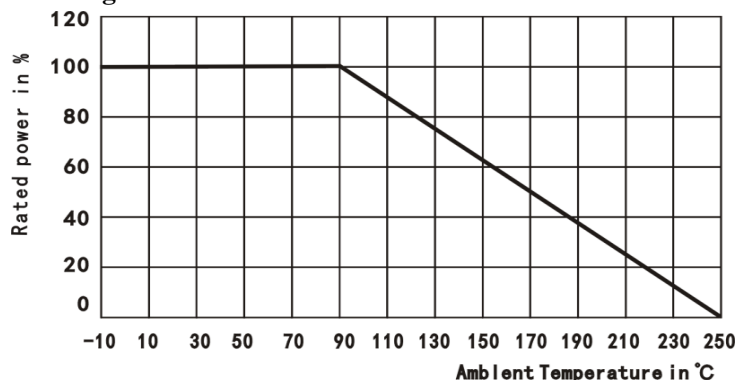
Type	M	W	H	X	D	A	T
SBB-M-6.9-0.5	6.6±0.3	6.9±0.3	3.0±0.3	5.6	0.9	2.5	0.66
SBB-M-6.9-1	6.6±0.3	6.9±0.3	3.0±0.3	5.6	0.9	2.5	0.33
SBB-M-6.9-2	6.6±0.3	6.9±0.3	3.0±0.3	5.6	0.9	2.5	0.4



工作特性 performance Data

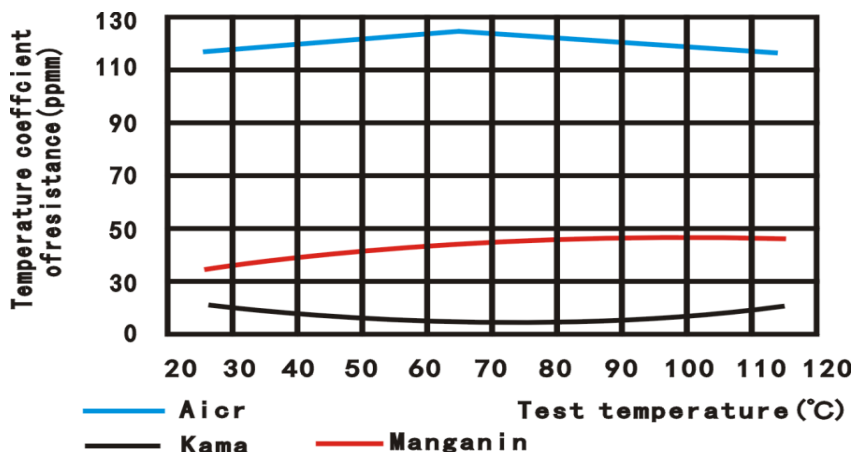
TEST	CONDITIONS OF TEST	TEST LIMITS
Thermal Shock	-55°C to, 150°C, 1000 cycles, 15 min at each extreme	± (1.0%+0.0005Ω) ΔR
Shot time overload	5x rated power for 5s	± (0.5%+0.0005Ω) ΔR
Low temperature storage	-65°C for 45 min	± (0.5%+0.0005Ω) ΔR
High temperature exposure	1000 h at +170°C	± (1.0%+0.0005Ω) ΔR
Bias humidity	+85°C 85% RH, 10% bias, 1000 h	± (0.5%+0.0005Ω) ΔR
Mechanical shock	100 g's for 6 ms, 5 pulses	± (0.5%+0.0005Ω) ΔR
Vibration	Frequency varied 10 Hz to 200 Hz in 1 min, 3 directions, 12h	± (0.5%+0.0005Ω) ΔR
Resistance to solder heat	1000 h at +70°C, 1.5 h "ON", 0.5 h "OFF"	± (1.0%+0.0005Ω) ΔR
Resistance to solder heat	+260°C solder, 10s to 12 s dwell, 25 mm/s emergence	± (0.5%+0.0005Ω) ΔR
Moisture resistance	MIL-STD-202, method 106, 0% power, 7a and 7b not required	± (0.5%+0.0005Ω) ΔR

功率曲线 Power Derating

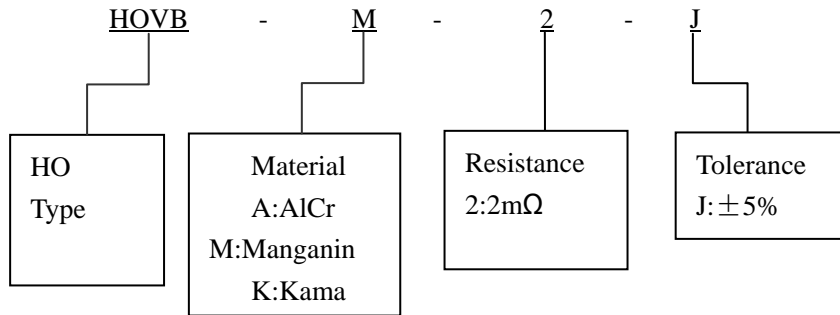


电气性能 Electrical Features

\*温度系数曲线 TCR Derating

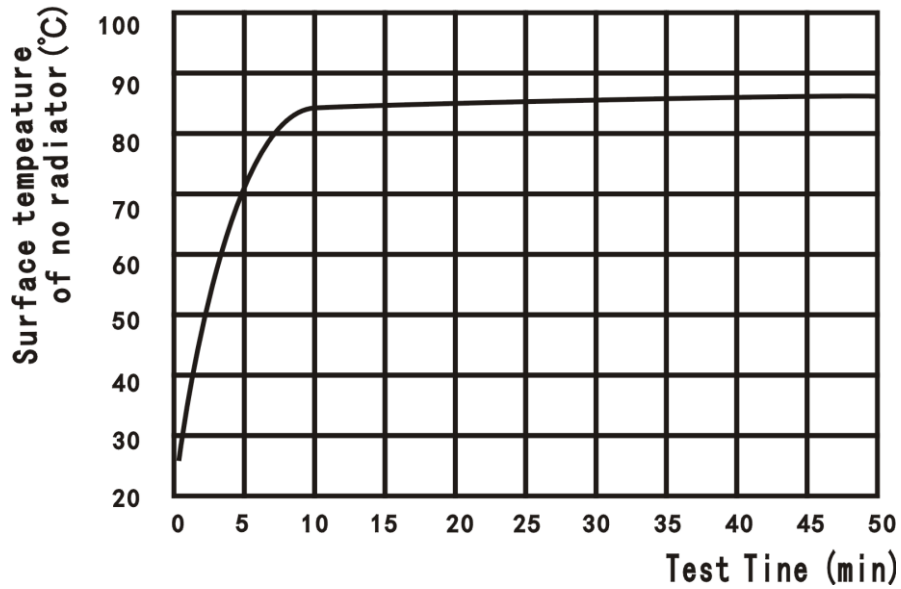


**命名规则 Order information**



**表面温度图 Surface Temperature**

**Surface temperature of normal working**



**应用范围 Application**

- 电流采样 Current Sensing
- 反馈电流 Feedback
- 低电感电路 Low Inductance
- 大电流脉冲电路 Surge and pulse